

# SPECIFICATION FOR APPROVAL

## 承认书

Customer (客户) : \_\_\_\_\_

Product Name (产品名称) : Micro Dynamic Speaker

Zhen mei Part No. (臻美型号): MIME4095-32-001

Specification (臻美规格) : φ40\*H9.5

Customer's Model No. (客户型号): \_\_\_\_\_

Specification No. (规格书编号): XA4016AS-32 Ω

Number of the edition (版本号) : A0

CUSTOMER'S APPROVED SIGNATURE 客户承认盖章

CUSTOMER'S APPROVED SIGNATURE 客户承认盖章		



臻美智能电子  
zhen mei smart electronics

### 广东臻美智能电子科技有限公司

Guangdong zhenmei intelligent electronic technology co., ltd.

地址:广东省东莞市塘厦镇华新智慧工业园华新路 22 号

TEL: 400-659-1989 FAX:0769-82196690

Http: [www.zhenmeigd.com](http://www.zhenmeigd.com) E-MAIL: [sales888@zhenmeigd.com](mailto:sales888@zhenmeigd.com)

Approved by 核准	Checked by 审核	Issued by 制成
		Jcf

<b>SPECIFICATION FOR APPROVAL</b>  <b>承认书</b>	<b>PAGE NO.</b> 页码	<b>2/7</b>
	<b>PART . NO.</b> 产品型号	MIME4095-32-001

### 1.使用范围 (Scope)

此份规格书是针对多媒体产品内，所使用的微型扬声器单体所提出的报告。

This specification covers our product of miniature speaker unit for multimedia product.

### 2.标准测试条件(Test condition)

一般规格试验状态 (特殊要求除外): 常温 5~35°C, 常湿 45%~85%, 气压 860~1060hPa.

判定上有疑问时, 试验状态为: 温度 20±2°C, 相对湿度 60%~70%, 气压 860~1060 hPa.

The test conditions unless otherwise specified should be normal temperature 5 to 35 °C, Normal humidity 45 to 85% and normal atmospheric pressure 860 to 1060 hPa, However, if there arises a doubt in judgment, the test conditions shall be as follows:

Temperature 20±2°C

Humidity 60%~70%

Atmosphere 860~1060 hPa

### 3.电声特性 (ELECTRO-ACOUSTIC CHARACTERISTICS)

#### 3.1 额定阻抗(Rated Impedance):

32Ω ± 20% (AT 1.6K Hz ,1.0 Vrms)

#### 3.2 额定输入功率(Rated Input Power)

1.Watt (At 3.83 Vrms white noise 96 Hours)

#### 3.3 最大输入功率(Max. Input Power)

2.Watt

#### 3.4 最低共振频率(Resonant Frequency)

142Hz ± 20%

#### 3.5 输出音压(Output S.P.L)

120± 3dB (1.0 Watt , 0.5 Meter. Average at 0.8K,1.0K,1.5K,2.0K Hz)

#### 3.6 实效频率范围(Frequency Range)

Fo ~ 20KHz (By Output S.P.L. -10dB)

#### 3.7 失真率(Distortion)

Less than 5% (At 1.6KHz , 2.83 Vrms)

#### 3.8 工作温度(Operating Temperature)

-25°C ~ +50°C

#### 3.9 储存温度(Storage temperature)

-25°C ~ +55°C

# SPECIFICATION FOR APPROVAL

## 承认书

PAGE NO.

页码

3/7

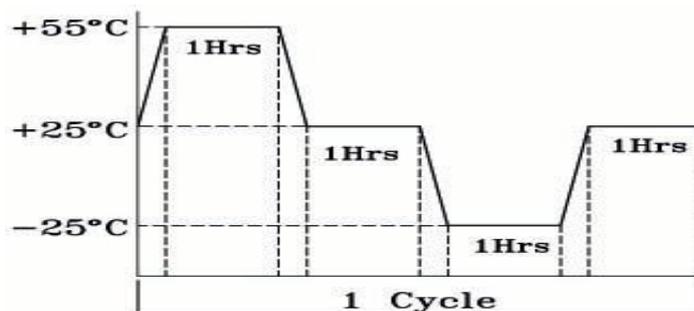
PART . NO.

产品型号

MIME4095-32-001

### 4.可靠性测试 (Reliability Test)

#### 4.1 高低温差循环测试(Temperature Cycling Test)



A	Low Temperature (-25°C±3°C)
B	High Temperature (+55°C±3°C)
C	Number of Cycle (3 Cycles)
D	Duration of Exposure 1 Hours, at Each Temperature Extremes
E	Duration of Recovery 1 Hours

#### 4.2 抗湿度试验(Humidity Test)

A	相对湿度(Relative Humidity)	90-95% at + 40°C ± 3°C
B	测试时间(Durations)	96 Hours
C	恢覆时间(Durations of recovery)	6 Hours

#### 4.3 连续负载测试(Load Test)

White Noise Without Weighted Filter 3.46 Volts.(RMS) 24 Hrs.

#### 4.4 跌落试验(Drop Test)

75 cm Free Falling On Concrete Floor, 10 Times.

#### 4.5 异常音测试(Buzzes & Rattles)

Sine wave between at 3.46Vrms / 200~5000Hz

#### 4.6 极性测试(Polarity test)

Diaphragm Shall Move Forward When Apply a Positive DC. Current to the "+" or "Marked" Terminal.

# SPECIFICATION FOR APPROVAL

## 承认书

PAGE NO.

页码

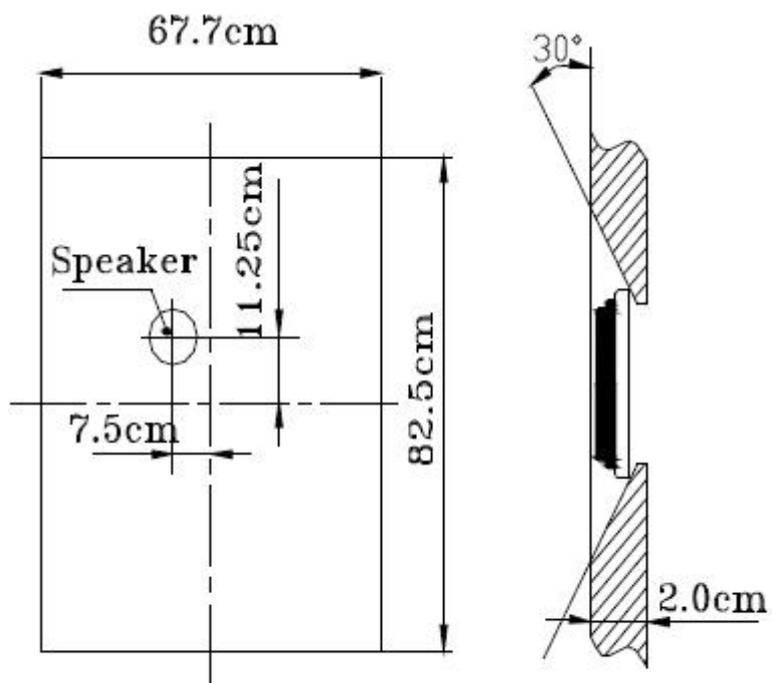
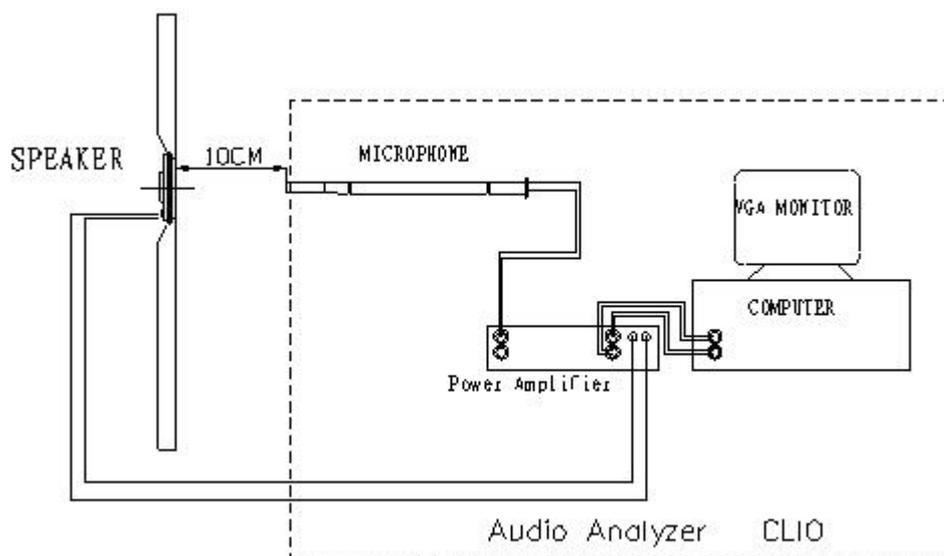
4/7

PART . NO.

产品型号

MIME4095-32-001

### 5.测量方式 (Measurement Method)



# SPECIFICATION FOR APPROVAL

## 承认书

PAGE NO.

页码

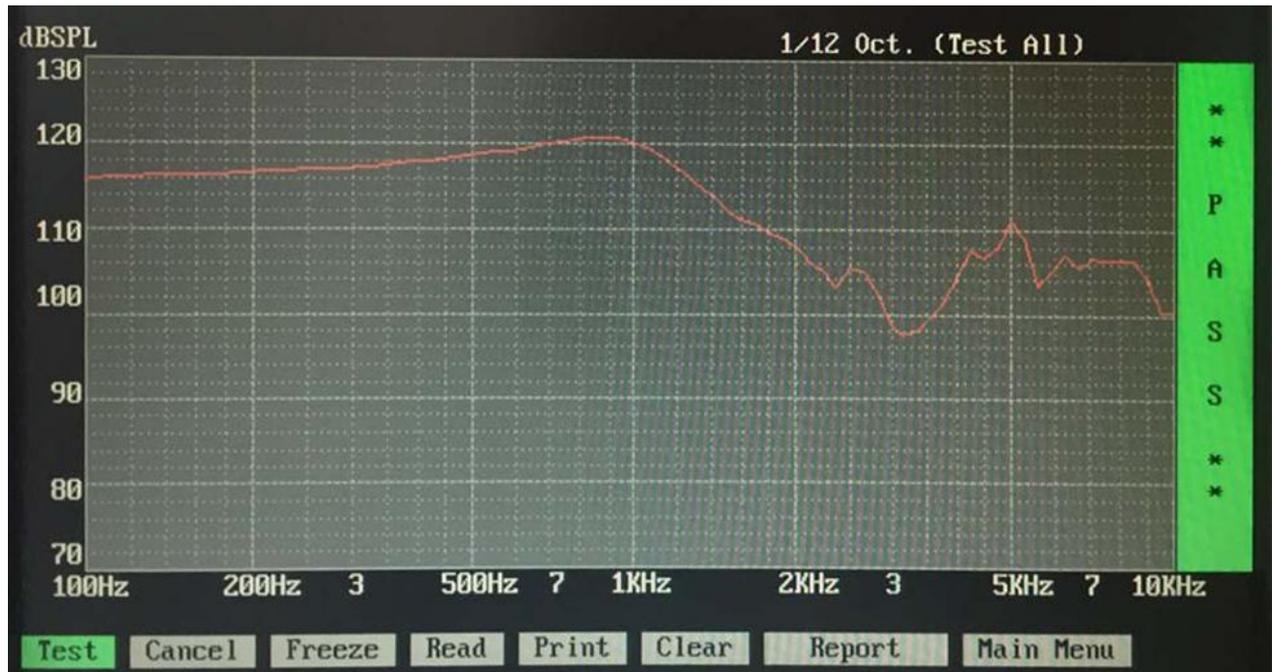
5/7

PART . NO.

产品型号

MIME4095-32-001

### 6. 频率响应曲线图 (Frequency Response Curve)



SPECIFICATION FOR APPROVAL

承认书

PAGE NO.

页码

6/7

PART . NO.

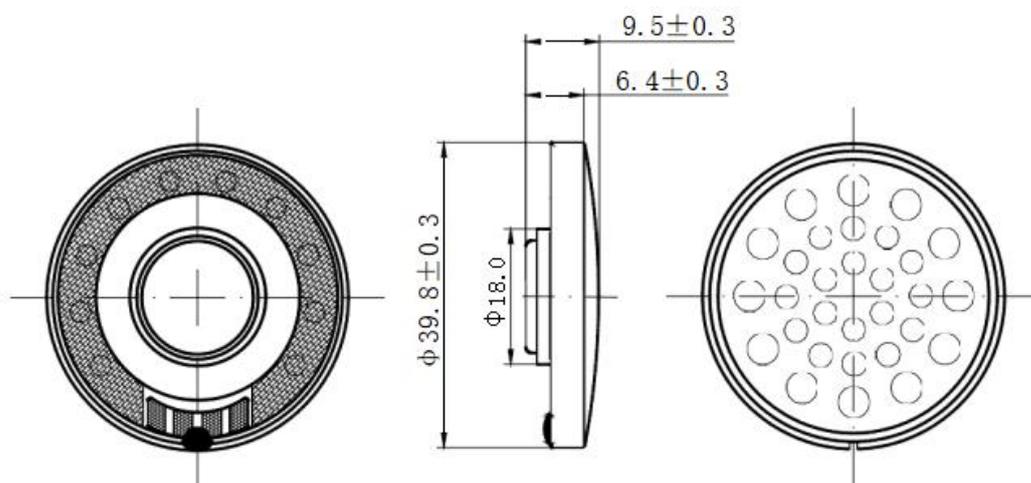
产品型号

MIME4095-32-001

7. 喇叭外观描述 (Horn appearance description)

正极处用红点标识 Marked with red dot at positive pole

unit : mm unless otherwise specified , tolerance:  $\pm 0.5$



# SPECIFICATION FOR APPROVAL

## 承认书

PAGE NO.

页码

7/7

PART . NO.

产品型号

MIME4095-32-001

### 8.包装示意图(Packing Standard):

PACKING STANDARD:

